

2720-12 Inverter/Buffer

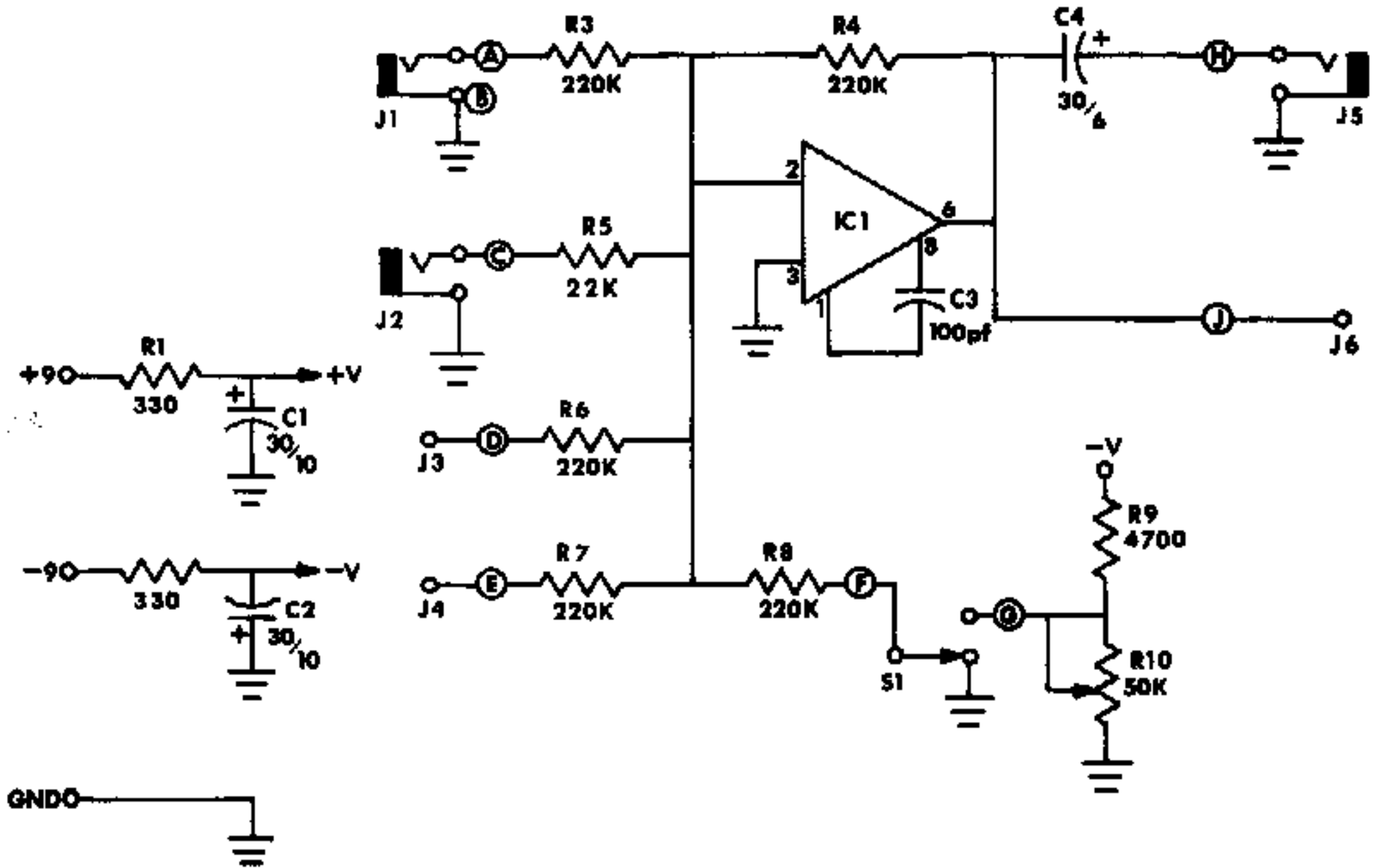


FIGURE 9 SCHEMATIC