

# FENDER MODEL BASSMAN-AMP AA864<sup>1/2</sup>

# NOTICE

THIS PRODUCT MANUFACTURED UNDER ONE OR MORE OF THE FOLLOWING U.S. PATENTS: 287706, 2913681, 192869 AND PATENTS PENDING.

H-FD

- 1- VOLTAGES READ TO GROUND WITH ELECTRONIC VOLTMETER. VALUES SHOWN  $\pm$  OR  $- 2.0\%$
- 2- ALL RESISTORS  $\frac{1}{2}$  WATT, 10% TOLERANCE IF NOT SPECIFIED.
- 3- ALL CAPACITORS AT LEAST 400 VOLT RATING IF NOT SPECIFIED.

7 0 2 5

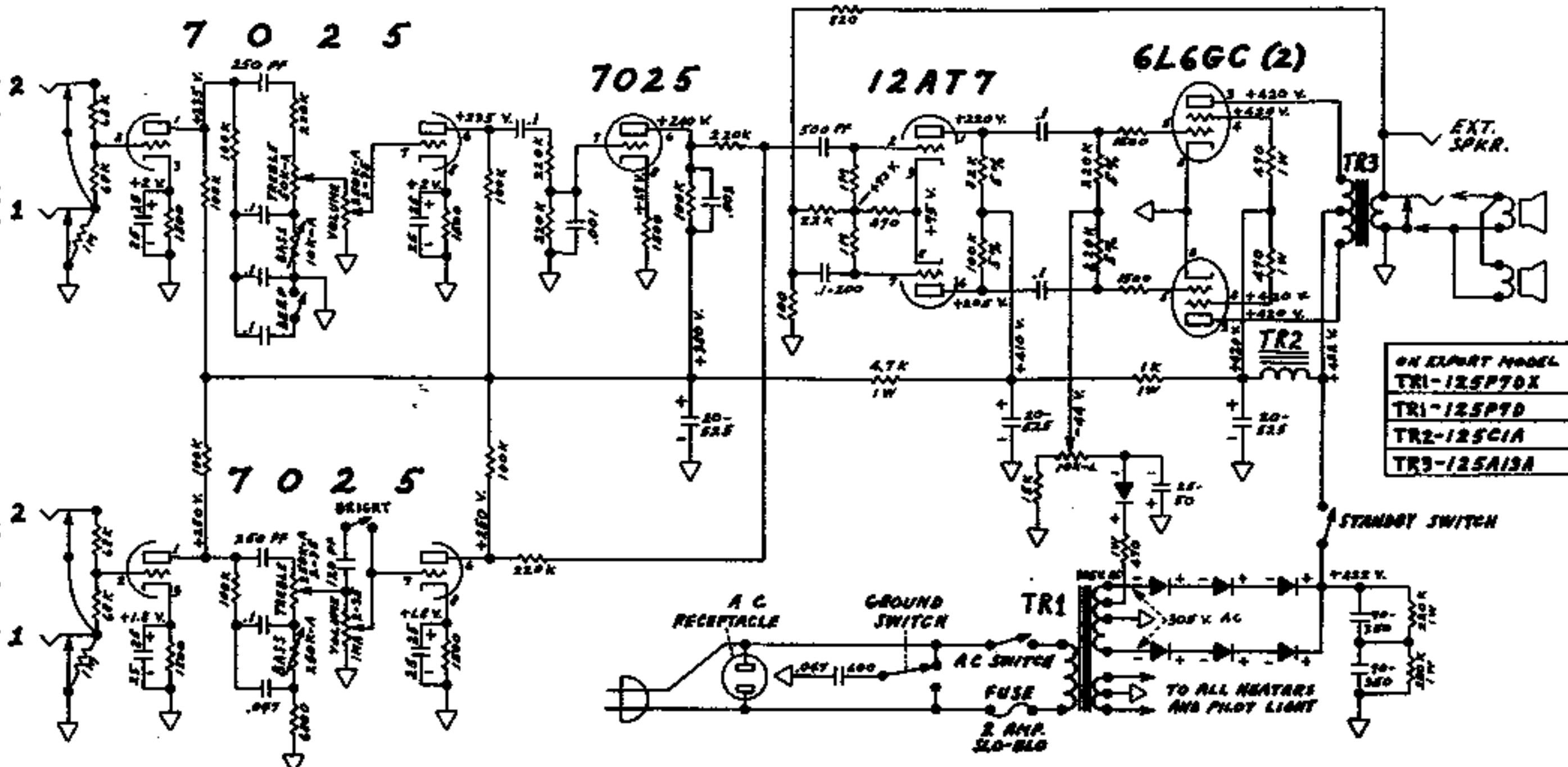
7025

12AT7

6L6GC (2)

BASS INSTRUMENT

NORMAL



ON EXPORT MODEL
TR1-125P70X
TR1-125P7D
TR2-125C1A
TR3-125A13A

EXT. SPKR.

STANDBY SWITCH

AC RECEPTACLE

GROUND SWITCH

TR1

FUSE  
2 AMP.  
SLO-BLO

TO ALL HEATERS  
AND PILOT LIGHT