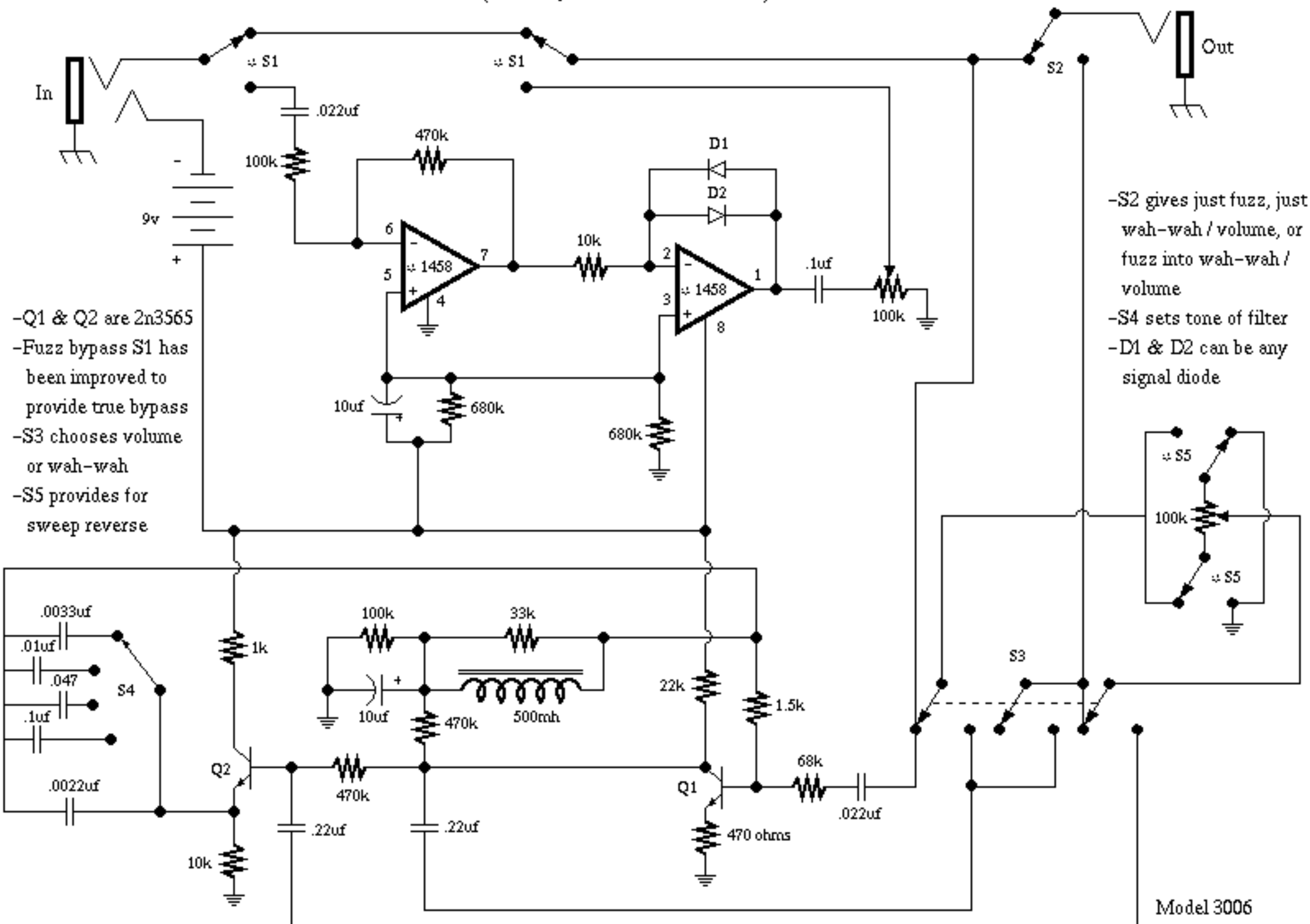


Electro Harmonix Fuzz-Wah

(Actually Fuzz-Wah/Volume)



- S2 gives just fuzz, just wah-wah / volume, or fuzz into wah-wah / volume
- S4 sets tone of filter
- D1 & D2 can be any signal diode

- Q1 & Q2 are 2n3565
- Fuzz bypass S1 has been improved to provide true bypass
- S3 chooses volume or wah-wah
- S5 provides for sweep reverse