

# FENDER "TREMOLUX" SCHEMATIC

## MODEL 569

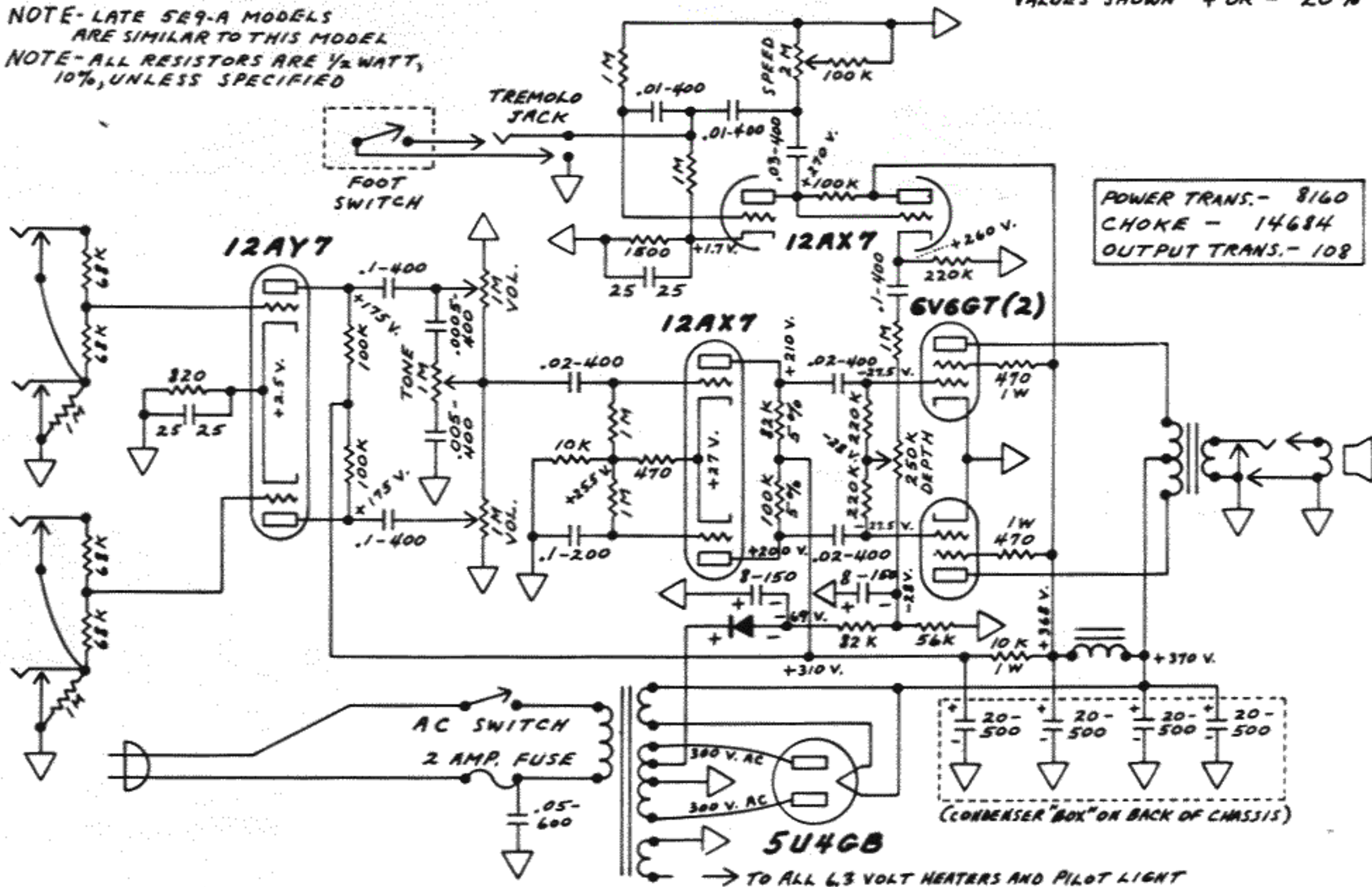
B-E1

# NOTICE

VOLTAGES READ TO GROUND  
WITH ELECTRONIC VOLTMETER  
VALUES SHOWN + OR - 20%

NOTE - LATE 569-A MODELS  
ARE SIMILAR TO THIS MODEL  
NOTE - ALL RESISTORS ARE 1/2 WATT,  
10%, UNLESS SPECIFIED

INST. 2  
MIC. 2  
241



POWER TRANS. - 8160  
CHOKE - 14684  
OUTPUT TRANS. - 108

(CONDENSER "BOX" ON BACK OF CHASSIS)

→ TO ALL 6.3 VOLT HEATERS AND PILOT LIGHT