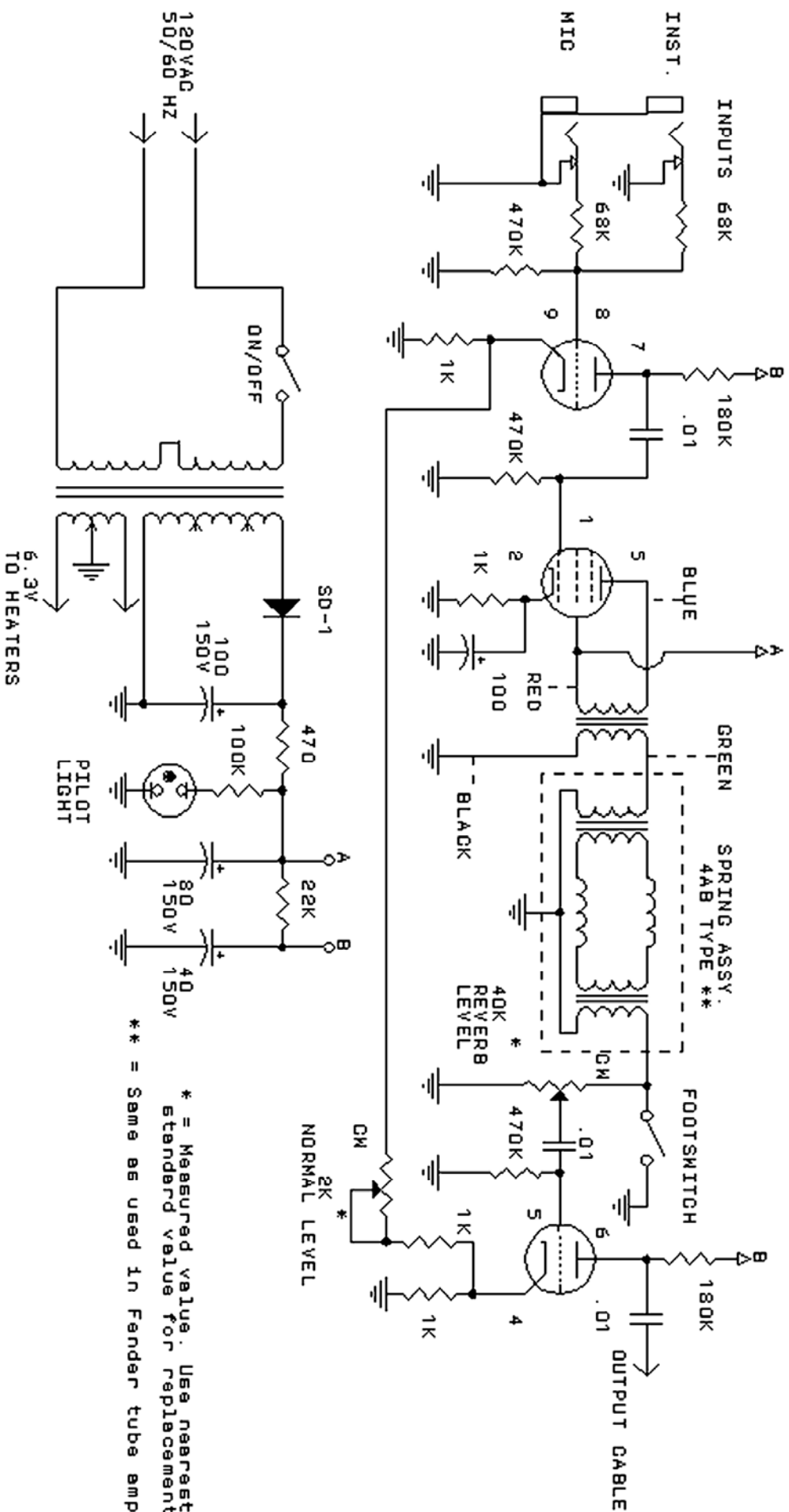


# PREMIER "90" TUBE REVERB

Traced and drawn by Dave S.

1/2 6EU7 6AQ5

1/2 6EU7



\* = Measured value. Use nearest standard value for replacement.

\*\* = Same as used in Fender tube amps.